

Creating Cities  
Where Urban Meets Nature



**VGP® Green Wall**

Hộp trồng cây trên tường đứng





VGP® Green wall offers a simple solution for installation of aesthetically-pleasing living walls.



VGP® Green wall Tray

## About Elmich VGP™ Planter Wall

The VGP® Green wall is an easy-to-install and low-maintenance modular vertical greening system with a choice of mounting, planting density and growth media options to suit different wall conditions. Depending on plant size and planting density selected, VGP® Green wall Trays allow plant spacings of 200mm and 250mm horizontally and 150mm and 225mm vertically.



VersiWall™ GP Mounting Panel

VGP® Green wall Trays can be individually replaced or removed for wall maintenance or design change. Each VGP® Green wall Tray has a water reservoir with a cover designed for the provision of a capillary wick to re-use stored water and facilitate sustained plant growth.

The use of mounting frames minimises wall penetrations and enables installation to be carried out easily and safely by just one person.

VGP® Green wall Trays and VGP® Green wall Mounting Panels are manufactured from UV-stabilised recycled polypropylene that meets requirements for international "Green Building" certification.



Herb gardens in tight spaces



Varied planting density



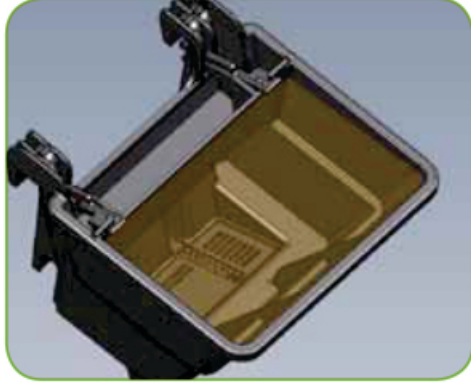
Suitable for temporal and event use



## Distinctive Features

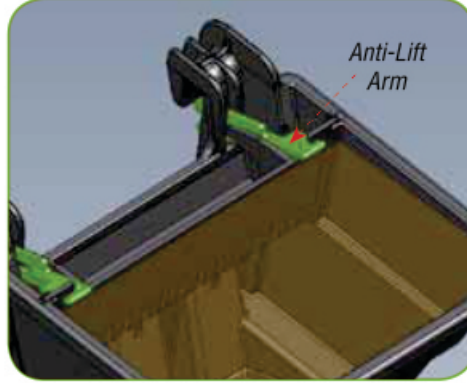
### Planting Media

Suitable for most green wall plants using different planting media.



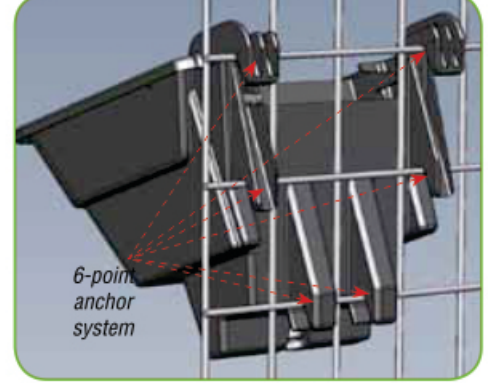
### Safety

Anti-lift arms prevent inadvertent dislodgment of trays.



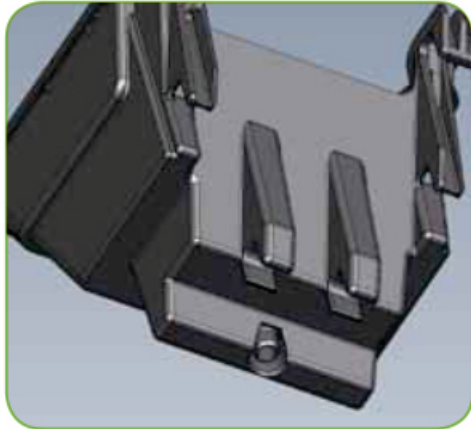
### Universal Mounting

Able to install on different mounting frames with 6-point anchoring system.



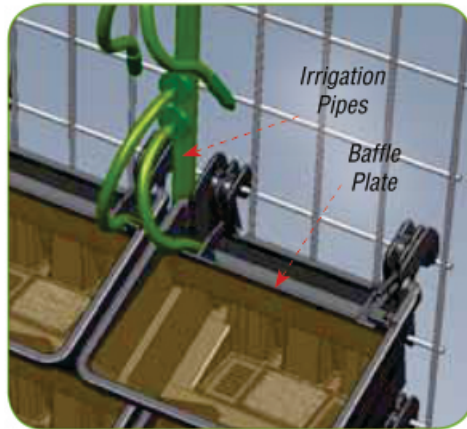
### Drainage

Excess water flows into underlying trays or is discharged through drainage pipe.



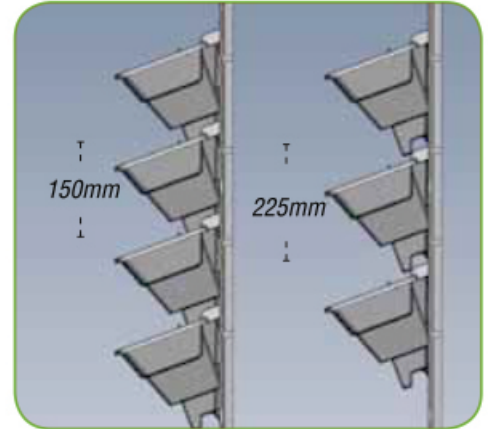
### Safety

Anti-lift arms prevent inadvertent dislodgment of trays.



### Universal Mounting

Able to install on different mounting frames with 6-point anchoring system.



## Projects





## Specifications

**Material** Recycled polypropylene (UV stabilised)

### Size (mm)

Tray	Overall	195 (W) x 207 (H) x 192 (D)
	Nominal	200 (W) x 150 (H) x 195 (D)
mounting Panel	Overall	418 (W) x 925 (H) x 22 (D)
	Nominal	400 (W) x 900 (H) x 22 (D)

**Planting Media Volume** ~ 1.8 Lit

### Weight (Kg/m<sup>2</sup>)

Close Planting (33 trays)	~ 93
Spaced Planting (22 trays)	~ 62

### Vertical Distance between trays (mm)

@150mm pitch	0 (trays overlap)
@250mm pitch	40

### Biological / Chemical Resistance

Unaffected by moulds and algae  
Good resistance to alkali and bitumen

## Advantages

**Planting Media** - Suitable for most green wall plants using different planting media.

**Safety** - Anti-lift arms prevent inadvertent dislodgement of trays.

**Drainage** - Excess water flows into underlying trays or is discharged through drainage pipe.

**Baffle Plate** - Distributes irrigation across the Tray and prevents media spillage.

**Planting Density** - Allows different vertical and horizontal spacing for varied planting options.

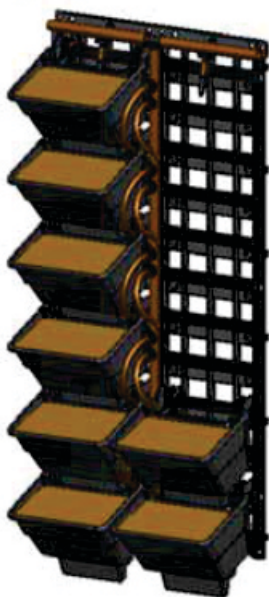
**Water Re-use** - Capillary wick draws stored water and fertilizer from reservoir.

**Irrigation** - Irrigation pipes are concealed neatly at the rear between Trays.

**Universal Mounting** - Able to install on different mounting systems with up to 6 universal anchoring points.

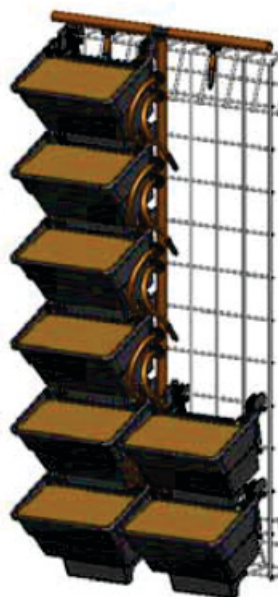
**Mounting Panel** - Simplifies installation with minimal wall penetrations and less bolts are needed.

## Mounting Systems



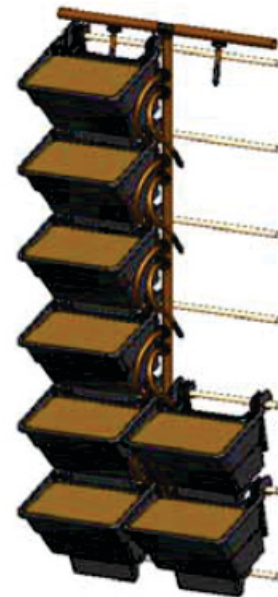
### VersiWall™ GP Mounting Panel

Easy to install proprietary panel made from recycled plastics.



### Welded Mesh

Standard welded mesh with rod spacing 50mm wide x 75mm or 150mm high.



### Steel Rods

Steel rods at 75mm or 150mm intervals providing a more minimalistic design.